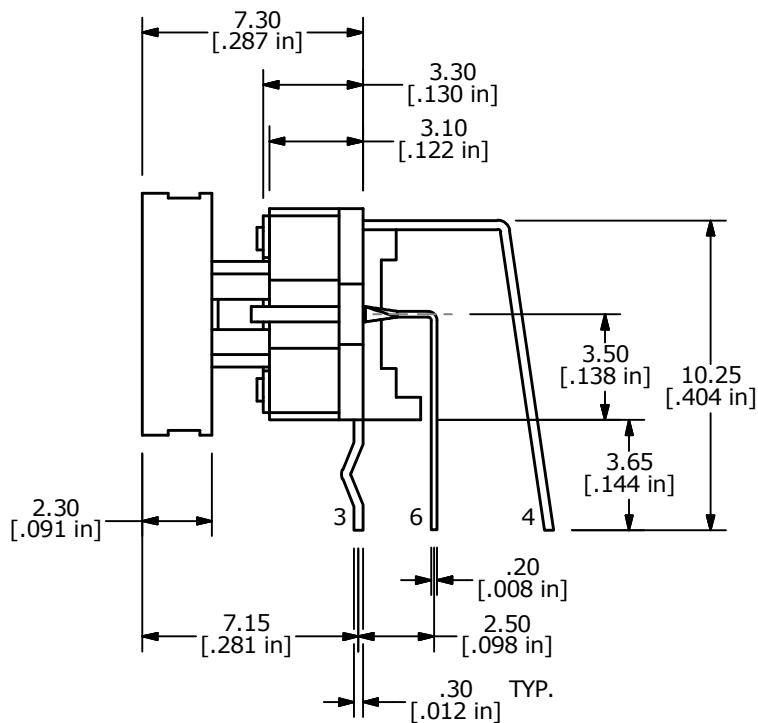
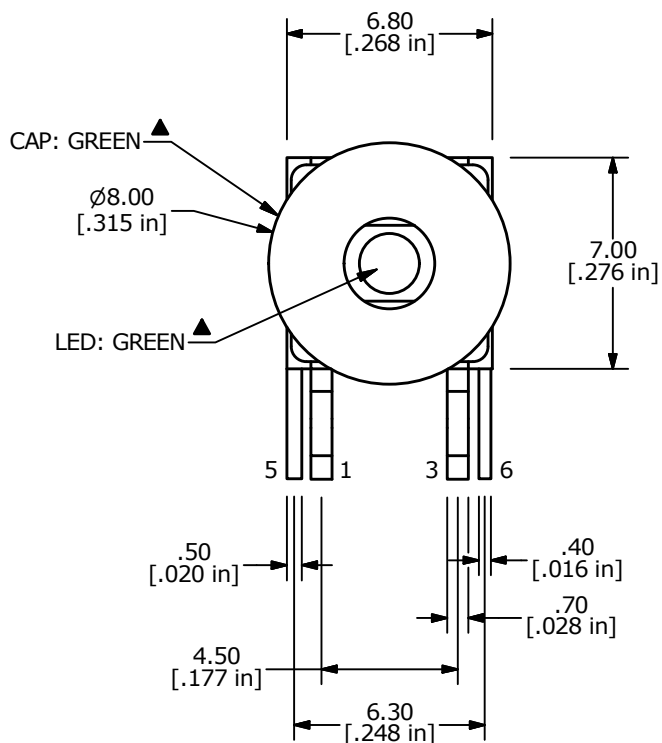
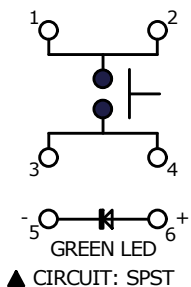
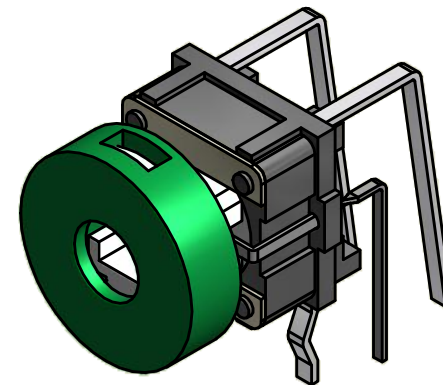


LED SPECS	UNITS	GREEN
FORWARD CURRENT	mA	20 TYP.
FORWARD VOLTAGE	V	2.1 TYP. - 2.5 MAX.
LUMINOUS INTENSITY	MCD	800 TYP.



- NOTES:
- ALL DIMENSIONS IN MM [INCH]
 - GENERAL TOLERANCE: X.X = ±0.4
X.XX = ±0.25
 - RATING: 12VDC @ 50mA
 - CONTACT RESISTANCE: 100mΩ MAX.
 - INSULATION RESISTANCE: 100MΩ MIN.
 - ▲ OPERATING FORCE: 160± 50gf
 - TRAVEL: 0.2± 0.1mm
 - OPERATING TEMPERATURE: -40°C TO 85°C
 - OPERATING LIFE 500,000 CYCLES
 - ▲ LED COLOR: GREEN
 - ▲ DENOTED CRITICAL PARAMETER
 - 2002/95/EC (ROHS) COMPLIANT
 - PACKAGING: 100 PIECES PER TRAY



A	21880	RELEASE FOR PRODUCTION	6/22/15	MW
REV	PCR NO	DESCRIPTION	DATE	BY

TITLE TL1260GQRGRN				
SCALE	DATE	DR	DWG	REV
4:1	6/22/2015	MW	B200059	A

THE INFORMATION CONTAINED IN THIS DOCUMENT IS PROPRIETARY TO E-SWITCH AND IS NOT TO BE COPIED OR TRANSFERRED